

EP.FR1050MT

Face Recognition Terminal



EP.FR1050MT face recognition terminal is a kind of access control device integrated with temperature screening function. It can fast taking skin-surface temperature and upload abnormal temperature event to the center, which can be widely applied in multiple scenarios, such as enterprises, stations, dwellings, factories, schools, campus and so on.

Supports Vanadium Oxide uncooled sensor to measure target's temperature

Temperature measuring range: 30 °C to 45 °C (86 °F to 113 °F), accuracy: ± 0.5 °C

Recognition distance: 0.5 to 1.5 m

Fast temperature measurement mode: Detects face and takes temperature without identify authentication

Multiple authentication modes are available: card and temperature, face and temperature, card and face and temperature, etc

Face mask detection alert: If the recognizing face does not wear a mask, the device will prompt a voice reminder. At the same time, the authentication or attendance is valid

Forced mask wearing alert: If the recognizing face does not wear a mask, the device will prompt a voice reminder. At the same time, the authentication or attendance will be failed

Displays temperature measurement results on the authentication page

Triggers voice prompt when detecting abnormal temperature

Transmits temperature information to the client software via TCP/IP communication and saves the data on the client software

Face recognition duration < 0.2 s/User; face recognition accuracy rate ≥ 99%

50,000 face capacity, 50,000 card capacity, and 100,000 event capacity

Suggested height for face recognition: between 1.4m and 1.9m

Supports 6 attendance status, including check in, check out, break in, break out, overtime in, overtime out Watchdog design and tamper function

Audio prompt for authentication result

NTP, manually time synchronization, and auto synchronization

Connects to external access controller or Wiegand card reader via Wiegand protocol

Connects to secure door control unit via RS-485 protocol to avoid the door opening when the terminal is destroyed

Imports and export user data from the client software

* Biometric recognition products are not 100% applicable to anti-spoofing environments. If you require a higher security level, use multiple authentication modes.

* In order to get an accurate temperature, after the device is powered on, you should wait for 90 min to warm the device up.

EP.FR1050MT Face Recognition Terminal

Hardware Specification

Temperature measurement

Temperature range	30 °C to 45 °C (86 °F to 113 °F)
Sensor	Vanadium Oxide uncooled sensor
Resolution	120 × 160
Frame rate	25 fps
Accuracy	± 0.5 °C, without black body calibration
Measuring distance	0.5 to 1.5 m

Screen

Size	7-inch
Type	Touch screen

Camera

Pixel	2 MP
Lens	Dual-lens

Capacity

Face Capacity	50,000
Card Capacity	50,000
Event Capacity	100,000

Network

Wired network	Support, 10/100/1000 Mbps self-adaptive
---------------	---

Interface

Network interface	1
Lock output	1
Exit button	1
Door contact input	1

Authentication

Card type	Mifare Classic
-----------	----------------

Function

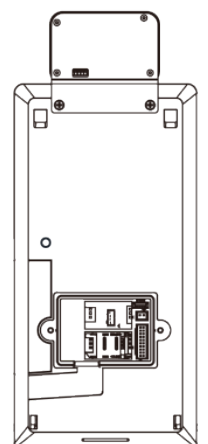
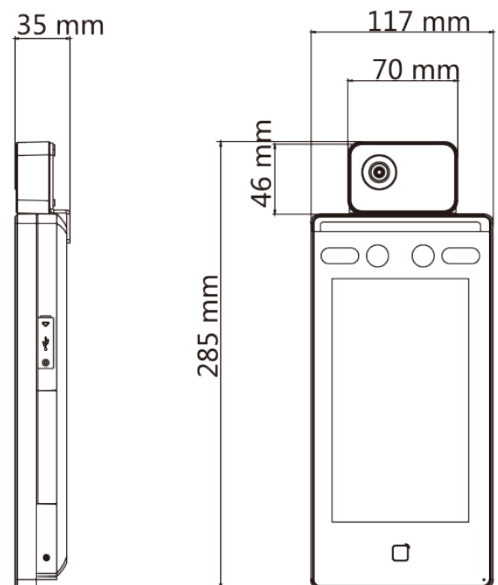
Face anti-spoofing	Support
Audio prompt	Support

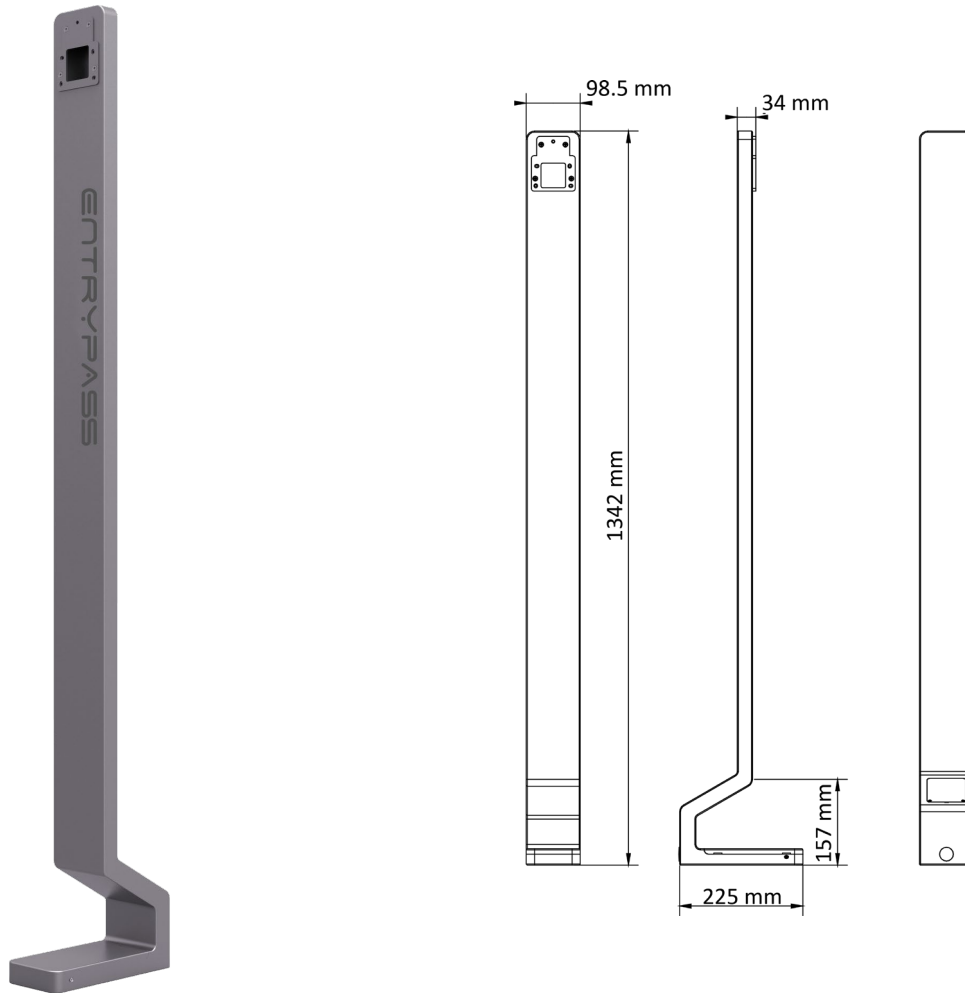
Others

Working temperature	0 °C to 50 °C (32 °F to 122 °F) For temperature measurement: 10 °C to 35 °C (50 °F to 95 °F)
Working humidity	10 to 90% (No condensing)
Application environment	Indoor



Dimension

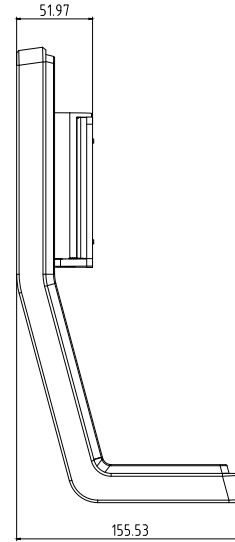
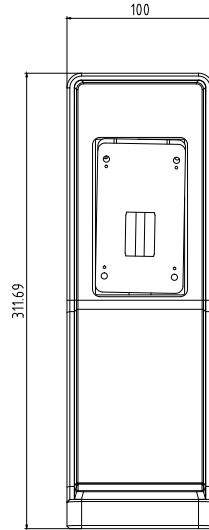




Hardware Specification

.....
Dimension (W × H × D) 98.5 mm × 1342 mm × 225 mm (3.9" × 52.8" × 8.9")
.....

LA.FR.TS Face Recognition Terminal Turnstile (Bracket)



Hardware Specification

Dimension (W × H × D) 100 mm × 311.69 mm × 51.97 mm

Ordering Information

EP.FR1050MT

LA.FR.FS

LA.FR.TS

Face Recognition Terminal

Floor Stand (Bracket)

Turnstile (Bracket)



www.entrypass.net

Malaysia

No. 40, Jalan TPP 1/10, Taman Industri Puchong, Batu 12 Jalan Puchong, 47160 Puchong Selangor Darul Ehsan, Malaysia.
Tel : +603 8068 1929
Fax : +603 8062 6937
Email : info@entrypass.net

Singapore

No. 1, UBI View, #03-03, Focus ONE Building, Singapore 408555.
Tel : +65- 6841 7242
Fax : +65- 6841 3937
Email : info@entrypass.net

Indonesia

Rukun Puri Mutiara, Block BF No.17, Jln Griya Utama, Sunter Agung, Jakarta Utara, 14350, Indonesia.
Tel : +62 21 2937 6098
Email : indonesia@bricomp.net

A securityhub group company

