

600LBS EM LOCK

LA.EMLOCK

LA.EMLOCK.LED



** For illustration purposes only*

The LA.EMLOCK is capable of holding doors weighing up to 600 lbs
Operates at low voltage at low current consumption rate.

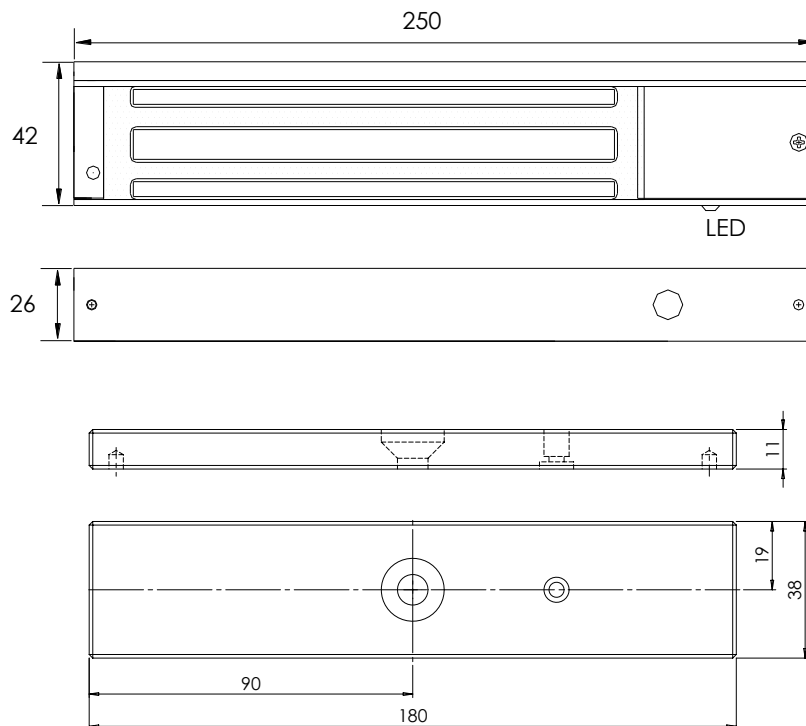
- Low current consumption
- Reliable holding force
- Simple and convenient

600LBS EM LOCK

LA.EMLOCK

Technical Specification

Model	LA.EMLOCK.LED	LA.EMLOCK
Holding Force	600lbs	
Operating Voltage	12V DC	
Current Consumption	480mA	
Lock Type	Fail-safe type	
Monitored	Magnetic Bond Sensor, LED	-
Dimension	Body 250mm x 42mm x 26mm	
	Armature Plate 180mm x 38mm x 11mm	



Ordering Information

LA.EMLOCK EntryPass 600lbs EM Lock
LA.EMLOCKLED EntryPass 600lbs EM Lock with LED



www.entrypass.net

Malaysia

No. 40, Jalan TPP 1/10, Taman Industri Puchong, Batu 12 Jalan Puchong, 47160 Puchong Selangor Darul Ehsan, Malaysia.
Tel : +603 8068 1929
Fax : +603 8062 6937
Email : info@entrypass.net

Singapore

No. 1, UBI View, #03-03, Focus ONE Building, Singapore 408555.
Tel : +65- 6841 7242
Fax : +65- 6841 3937
Email : info@entrypass.net

Indonesia

Jl. Raya Lodan No. 2, kompl. Ruko Lodan Centre Blok. P 10, Jakarta Utara 14430, Indonesia.
Tel : +62 21 6983 3153
Fax : +62 21 690 3005
Email : info@entrypass.net

A securityhub group company

